



TR70 SERIES 70W SWITCHING ADAPTER



* Not CE certified for the EU"

Features

- * Universal Input Range: 90-264VAC
- * Meets EN55022 Class B and CISPR/FCC Class B
- * Continuous Short Circuit Protection
- * Over Voltage Protection (Option)
- * PSE is Option without TR70A48

Ordering information

TR70A XXX - XX	X	XX
Model No.	DC Plug Type	OVP Option
	*Please see Page235 for more detailed descriptions	A: Without OVP Option E: With OVP Option
		DC Cable Length and Type
		01: 720mm 02: 1200mm 03: 1800mm 11: 720mm with Ferrite Core 12: 1200mm with Ferrite Core 13: 1800mm with Ferrite Core *18AWG/UL1185



MODEL	OUTPUT VOLTAGE	MIN. LOAD	OUTPUT CURRENT	RIPPLE & NOISE	VOLTAGE SETPOINT	LINE REGULATION	LOAD REGULATION	%EFF.. (Typ.)
TR70A12	12V	0A	5.5A	1%	±2%	±1%	±5%	80%
TR70A15	15V	0A	4.6A	1%	±2%	±1%	±3%	82%
TR70A18	18V	0A	3.9A	1%	±2%	±1%	±2%	83%
TR70A19	19V	0A	3.7A	1%	±2%	±1%	±2%	83%
TR70A24	24V	0A	3.0A	1%	±2%	±1%	±2%	84%
TR70A48	48V	0A	1.5A	1%	±2%	±1%	±2%	84%

Specifications

INPUT SPECIFICATIONS:

Voltage	90~264Vac
Frequency	50 to 60Hz
Inrush Current	60A max. @240Vac
Conducted EMI	CISPR/FCC Class B
Leakage Current	3.5mA max.

OUTPUT SPECIFICATIONS:

Holdup Time	8ms typ. @115Vac
Short Circuit Protection	Continuous
Over Voltage Protection	Option
Temperature Coefficient	±0.05%/°C

GENERAL SPECIFICATIONS:

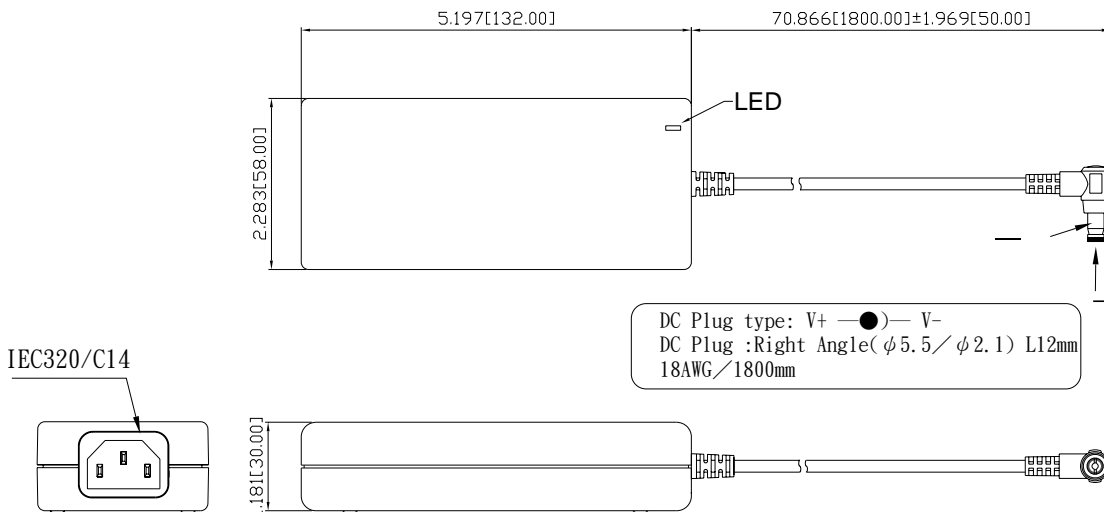
Isolation	Input to output = 4,242VDC
Operating Temperature	0 ~ 60°C (see derating curve)
Storage Temperature	-20~85°C
Humidity	93% RH max. Non condensing
Cooling	Natural Convection
Switching Frequency	60KHz Typical
MTBF	MIL-HDBK-217F, GB, at 25°C/115VAC 200K hrs min.
Altitude	2000m
Dimensions	5.197x2.283x1.181 inches (132.00x58.00x30.00 mm)
Weight	345g(0.76 Pounds)
AC Inlet	IEC320/C14

SAFETY AND EMC:

Emission and Immunity	EN55022 Class B, FCC Part 15 Class B EN61000-6-3, EN61000-3-2, EN61000-3-3 EN55024, EN61204-3, EN61000-6-1
Safety	IEC60950-1, EN60950-1, UL60950-1

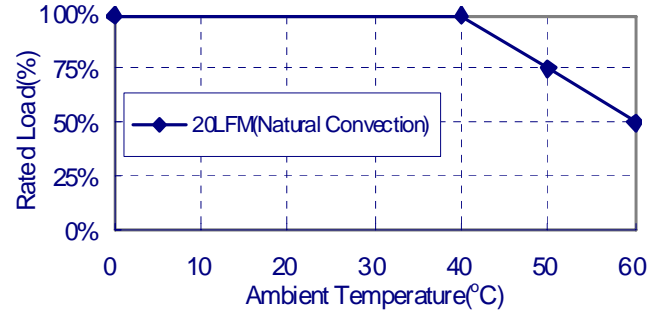
Mechanical Specification

All Dimensions are in inches(mm)
Tolerance:Inches:X.XXX±0.02
Millimeters:X.XX±0.5



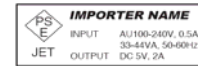
Typical at 25°C, nominal line and 75% load, unless otherwise Specified

TR70 Series Derating Curve



NOTE:

1. Voltage setpoint at 60% full load
2. Add a 0.1uF ceramic capacitor and a 10uF E.L. capacitor to output for Ripple & Noise measurement @20MHz BW.
3. Line regulation measured from 100Vac to 240Vac, full load.
4. Load regulation measured from 60% to 100% full load and from 60% to 20% load (60% +/- 40% full load)
5. "Various TR Series adapters are PSE certified. PSE certification alone is not sufficient for importation into Japan. A valid PSE mark must contain the name of the importer as shown in the example below. If PSE mark is required, the name of the registered importer must be supplied to Cincon on order placement. Product labels will not contain PSE mark if importer name is not supplied. Consult factory or local representative for details"



Mouser Electronics

Authorized Distributor

Click to View Pricing, Inventory, Delivery & Lifecycle Information:

[Cincon:](#)

[TR70A15-02A13](#) [TR70A24-26A03](#) [TR70A12-01A03](#) [TR70A12-02A03](#) [TR70A12-03A03](#) [TR70A15-01A03](#) [TR70A15-02A03](#) [TR70A18-01A03](#) [TR70A18-02A03](#) [TR70A19-01A03](#) [TR70A19-02A03](#) [TR70A24-01A03](#) [TR70A24-02A03](#) [TR70A48-01A03](#) [TR70A48-02A03](#) [TR70A15-11A03](#) [TR70A24-01E11](#) [TR70A15-01T-02A13](#)