

UMEC International Corporation

UP0301E-05P/UP0351E Series

30-36 Watt AC/DC Adapter

- ◆ Universal Input 90 to 264 VAC
- ◆ EMI Meets FCC/CISPR 22 Class B
- ◆ RoHS Compliant

Green Product
RoHS



SPECIFICATIONS

All specifications are typical at nominal line, full load and 25°C unless otherwise noted.

INPUT SPECIFICATIONS

Input Voltage Range 90-264VAC
Input Frequency 47-63 Hz
Inrush Current 40A max.(Cold Start)

GENERAL SPECIFICATIONS

Hold-up Time 10mS typ.
Efficiency 70% typ.
Leakage Current 0.5mA max.
Short Circuit Protection Continuous
Overvoltage Protection All Models
Overload Protection 120-200% of rated value

ENVIRONMENTAL SPECIFICATIONS

Operating Temperature Range 0°C to 50°C
Derating 40°C to 50°C 2%/°C
Temperature Coefficient ±0.02%/°C
Storage Temperature Range -40°C to +85°C
Humidity, Non-Condensing 0 to 95% RH
Cooling Free- Air Convection
EMI Meets FCC/CISPR 22 Class B Specification



UMEC International Corporation

OUTPUT SPECIFICATIONS

Model Number	Output Voltage(Volts)	Output Current (Amps)		Max. Power (Watts)	Efficiency (typ.)	Ripple ¹ P-P (mV)	Total Regulation ²
		Min.	Rated				
UP0301E-05P	5	0.0	6.00	30	70%	50	±5%
UP0351E-12P	12	0.0	3.00	36	80%	120	±5%
UP0351E-15P	15	0.0	2.40	36	80%	150	±4%
UP0351E-18P	18	0.0	2.00	36	80%	180	±4%
UP0351E-19P	19	0.0	1.90	36	80%	190	±4%
UP0351E-24P	24	0.0	1.50	36	80%	240	±4%

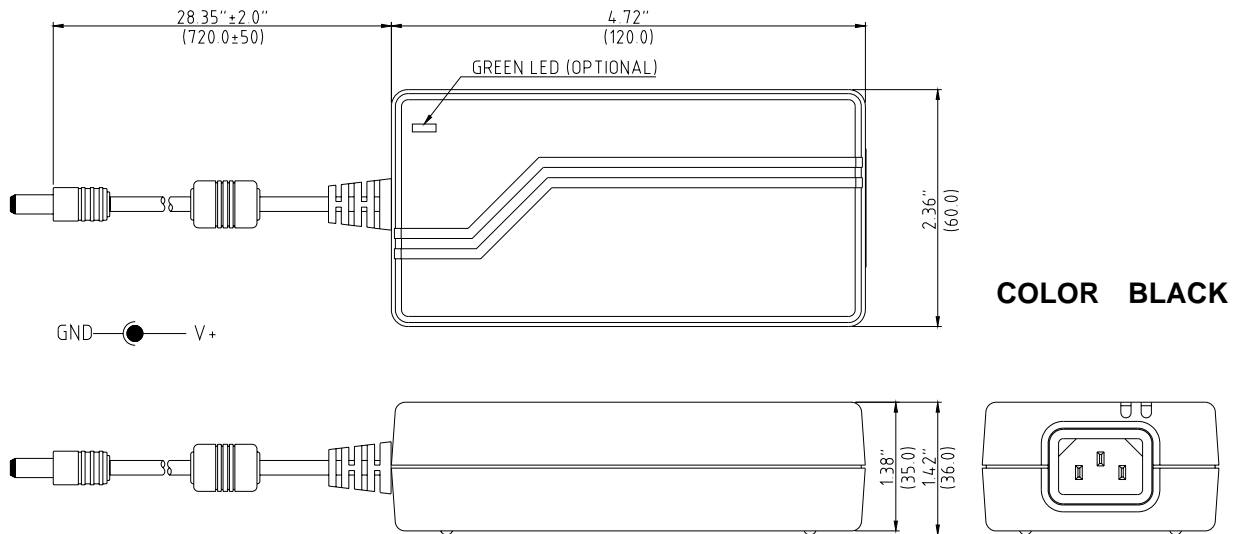
NOTES

1. Add a 0.1uF ceramic capacitor and a 10uF E.L. capacitor to the output cable. Peak to peak and RMS metering equipment shall have a 20 MHz response with probes and cables maintaining frequency response from 200 Hz to 100MHz bandwidth. Output ripple and spikes are measured directly at the output terminals of the power supply without the use of the probe ground clip.
2. Total regulation is defined as the static output regulation at 25°C, including initial tolerance, line voltage and load current within stated limits.

PHYSICAL SPECIFICATIONS

Weight : 300g.

Case Material : ABS Plastic UL94V-0 Flammability Rated.



DC plug & pin assignment (CUSTOM DESIGN IS AVAILABLE)

IN 2.5(±0.2)/ OUT 5.5(±0.2)/ LENGTH 10(±0.5) (mm) DC PLUG FEMALE

NOTES:

1. All dimensions in inches (mm).
2. Tolerance (except cable length): .xx = ±0.04
.xxx = ±0.010



SMX POWER

3005 Avenida Simi, Simi Valley, CA 93063
TEL: (805) 582-2804 FAX: (805) 582-2308
<http://www.smxpower.com>