

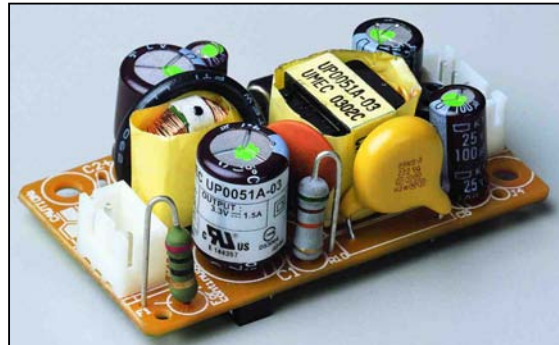
UMEC International Corporation

UP0051A-() () () () SERIES

5 Watt AC/DC Open Frame

Green Product
RoHS

- ◆ Universal Input 90 to 264 VAC
- ◆ EMI Meets FCC/CISPR 22 Class B
- ◆ Continuous Short Circuit Protection
- ◆ Designed to Meets UL, CSA, TUV Safety Standards
- ◆ RoHS Compliant



SPECIFICATIONS

All specifications are typical at nominal line, full load and 25°C unless otherwise noted.

INPUT SPECIFICATIONS

Input Voltage Range 90-264VAC
Input Frequency 47-63 Hz
Inrush Current 30A max.(Cold Start)

GENERAL SPECIFICATIONS

Hold-up Time 10mS typ.
Leakage Current 3mA max.
Short Circuit Protection Continuous
Continuous Output Power 5.4W max.
Hi-pot Isolation: Input / Output 4242 VDC

ENVIRONMENTAL SPECIFICATIONS

Operating Temperature Range 0°C to 70°C
Derating 50°C to 70°C 2%/°C
Temperature Coefficient ±0.02%/°C
Storage Temperature Range -40°C to +85°C
Humidity, Non-Condensing 0 to 95% RH
Cooling Free- Air Convection
EMI Meets FCC/CISPR 22 Class B Specification

NOTE:

1. There are TUV & CUL safety approved and CB report to UP0051A-03XX, and only there is CB report to others.



UMEC International Corporation

OUTPUT SPECIFICATIONS

Model Number	Output Voltage (Volts)	Output Current (Amps)		Max Power (Watt)	Efficiency (typ.)	Ripple ¹ P-P (mV)	Total Regulation ²
		Min.	Rated				
UP0051A-03() ()	3.3	0	1.5	4.95	65%	50	±3%
UP0051A-05() ()	5	0	1	5	70%	50	-4%~+5%
UP0051A-12() ()	12	0	0.45	5.4	70%	120	±4%

NOTES:

1. Add a 0.1uF ceramic capacitor and a 10uF E.L. capacitor to the output connector. Peak to peak and RMS metering equipment shall have a 20 MHz response with probes and cables maintaining frequency response from 200 Hz to 100MHz bandwidth. Output ripple and spikes are measured directly at the output terminals of the power supply without the use of the probe ground clip.
2. Total regulation is defined as the static output regulation at 25°C, including initial tolerance, line voltage and load current within stated limits.

PHYSICAL SPECIFICATIONS

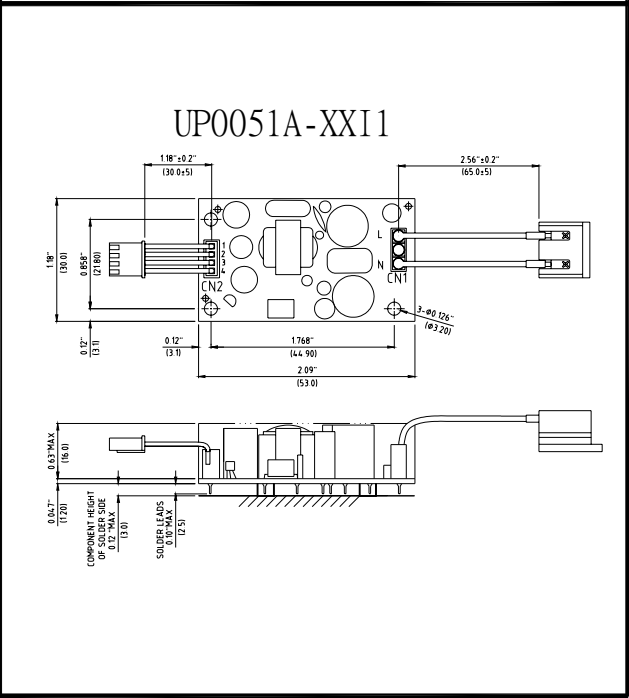
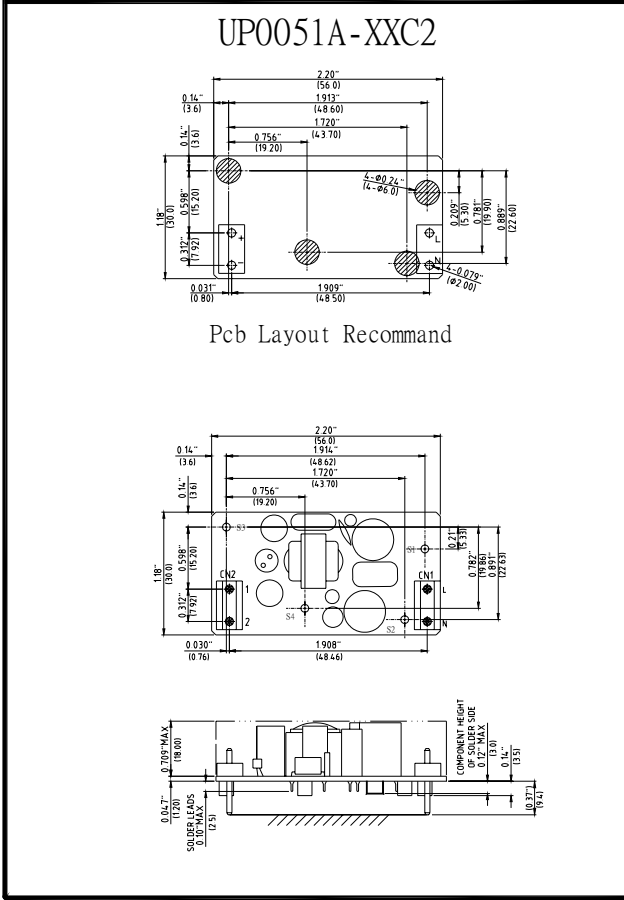
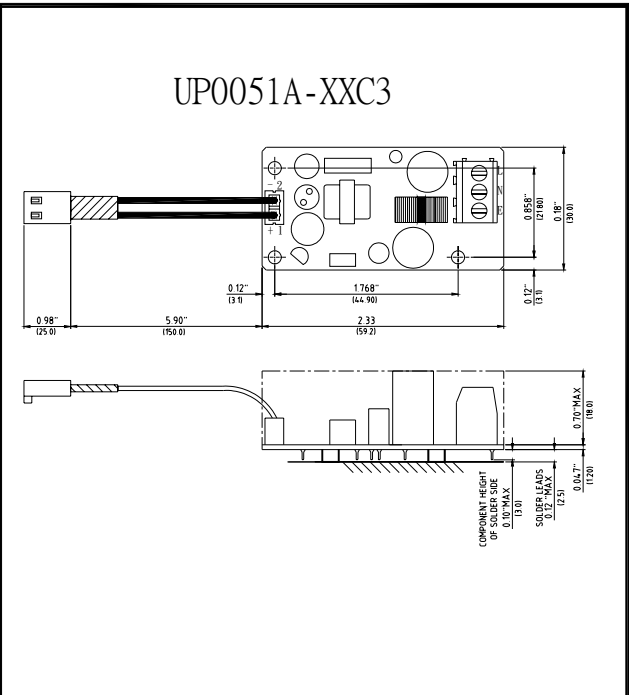
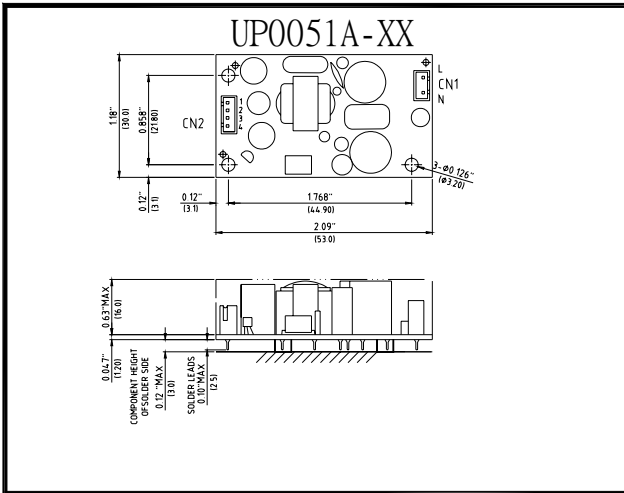
Weight: 40g

Note1: PIN(CN1):L&N Note2: Input Voltage:90~264VAC			
UP0051A-XX	UP0051A-XXC2	UP0051A-XXC3	UP0051A-XXI1
CN1 input connector TKP 8822 or Equivalent,with Second Pin Removed(P:2.54)	ALEX 8671-N Series or Equivalent	DINKLE EK508V-03P or Equivalent	Ac Input: Using 2 Pins Rong Feng RF-180-FX-A, UL1015 22AWG, PCB Mount LANDWIN 3968 SERIES or Equivalent

CN2 output connector Molex 67280 series or equivalent							
Model							
Pin	UP0051A-XX	UP0051A-XXC2	UP0051A-XXC3	UP0051A-XXI1			
1	Common	ALEX 8671-N Series or Equivalent	MOLEX 22-01-2025 P: 2.54mm or Equivalent	Using 4 Pins Jowle B3951H02-4P, UL1007 22AWG, PCB Mount Jowle 2513HR2-4P or Equivalent			
2	Common						
3	Vo	Pin	Pin	Pin			
		1	Vo	1	Vo	1	Common
4	Vo	2	Common	2	Common	3	Vo
						4	Vo



UMEC International Corporation



NOTES:

1. All dimensions in inches (mm).
2. Tolerance .XX=±0.05", .XXX=±0.020".

SMX POWER

3005 Avenida Simi, Simi Valley, CA 93063
 TEL: (805) 582-2804 FAX: (805) 582-2308
<http://www.smxpower.com>

