

# TR30R

## 30W SWITCHING ADAPTER



### Features

- Universal Input : 90 ~ 264Vac
- Continuous Short Circuit Protection
- Over Voltage Protection
- Conductive EMI Meets CISPR/FCC Class B
- High Efficiency, 75% Typical
- AC Plug Can Be Change

### Specifications

#### INPUT CHARACTERISTICS:

Voltage ..... 90 ~ 264Vac  
 Frequency ..... 47 to 63Hz  
 Input Current ..... 0.7A max  
 Inrush Current ..... 50A max @264Vac  
 Isolation ..... Input to output =4,242VDC  
 Leakage Current.....0.25mA max

#### ENVIRONMENTAL CHARACTERISTICS:

Operating Temperature ..... 0 ~ 40°C  
 Storage Temperature ..... -20 ~ 85°C

#### OUTPUT CHARACTERISTICS:

Holdup Time ..... 10mS typ. @ 115Vac  
 Short Circuit Protection .....Continuous (Auto Recovery)  
 Over Voltage Protection ..... Yes

#### MECHANICAL CHARACTERISTICS:

Dimensions .....4.24x 2.27 x 1.32 Inches  
 Weight .....(0.625 Pounds)

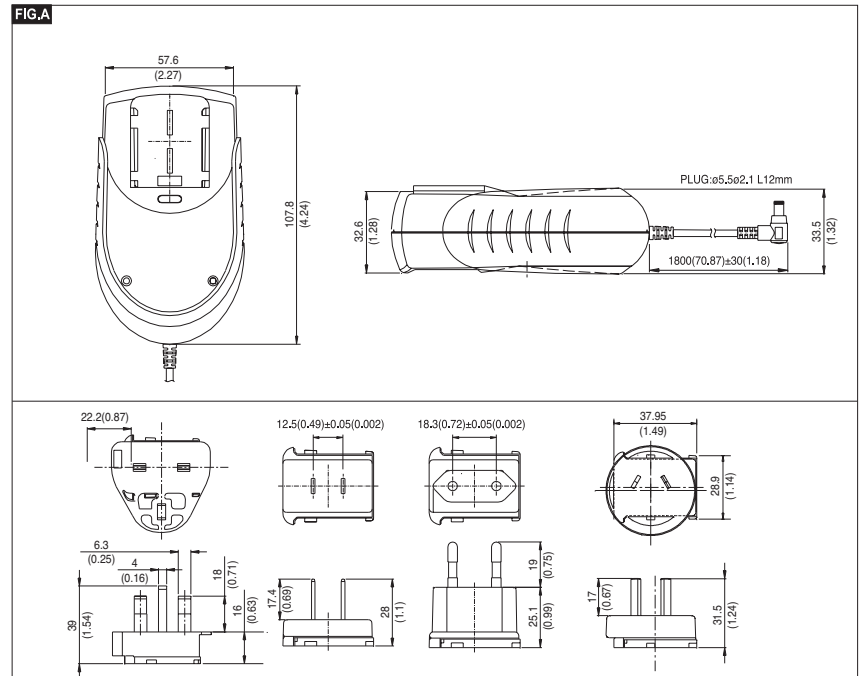
MODEL	OUTPUT VOLTAGE	MAX. LOAD	MIN. LOAD	RIPPLE & NOISE	VOLTAGE ACCURACY	LINE REGULATION	LOAD REGULATION
TR30R050	5.0V	5.0A	0 A	1%	± 4%	± 1%	± 6%
TR30R090	9.0V	3.3A	0 A	1%	± 2%	± 1%	± 3%
TR30R120	12 V	2.5A	0 A	1%	± 2%	± 1%	± 2%
TR30R150	15V	2.0A	0 A	1%	± 2%	± 1%	± 2%
TR30R180	18 V	1.65A	0 A	1%	± 2%	± 1%	± 2%
TR30R240	24 V	1.25A	0 A	1%	± 2%	± 1%	± 2%

#### NOTE:

1. Voltage setpoint at 60% load.
2. Add a 0.1µF ceramic capacitor and a 10µF E.L. capacitor to output for Ripple & Noise measuring @20MHz BW
3. Line regulation measured from 100Vac to 240Vac , full load
4. Load regulation measured from 60% to full load and from 60% to 20% load(60% +/- 40% load)

### Mechanical Specification

UNIT: mm(Inches)



Typical at 25°C, nominal line and 75% load, unless otherwise Specified

# SMX POWER

3005 Avenida Simi, Simi Valley, CA 93063  
 TEL: (805) 582-2804 FAX: (805) 582-2308  
<http://www.smxpower.com>