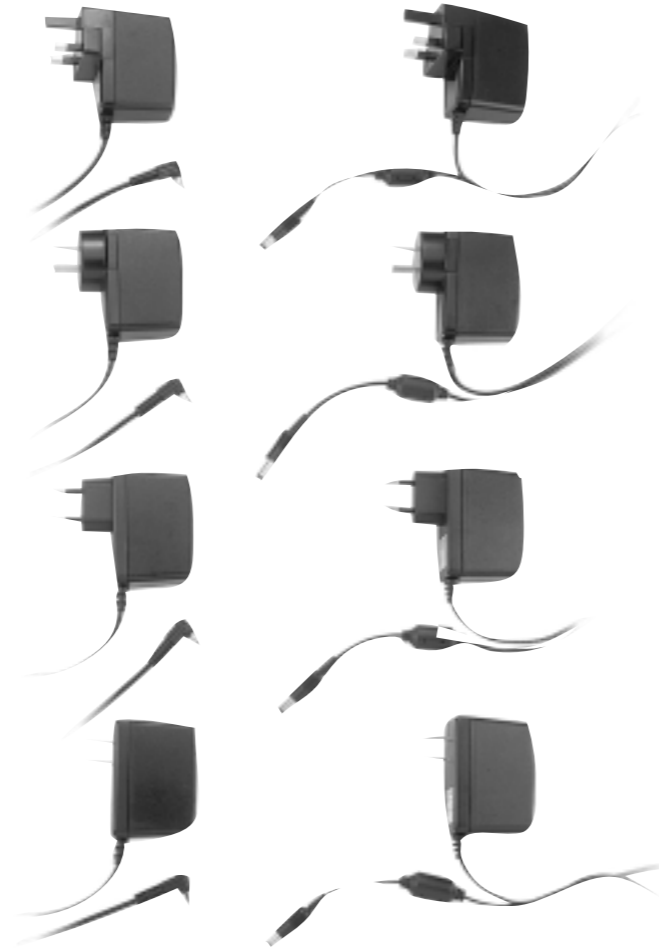


TR15

15W SWITCHING ADAPTER



Features

- Universal Input: 90 ~ 264Vac
- Continuous Short Circuit Protection
- Meets EN55022 Class "B", Conducted
- High Efficiency, 75% Typical

Specifications

INPUT CHARACTERISTICS:

Voltage90 ~ 264Vac
 Frequency47 to 63Hz
 Input Current0.5A max.
 Inrush Current.....50A max. @ 264Vac

ENVIRONMENTAL CHARACTERISTICS:

Operating Temperature 0 ~ 40°C
 Storage Temperature -20 ~ 85°C

OUTPUT CHARACTERISTICS:

Holdup Time 10mS typ. @ 115Vac
 Short Circuit Protection Continuous (Auto Recovery)
 Over Voltage Protection Option

MECHANICAL CHARACTERISTICS:

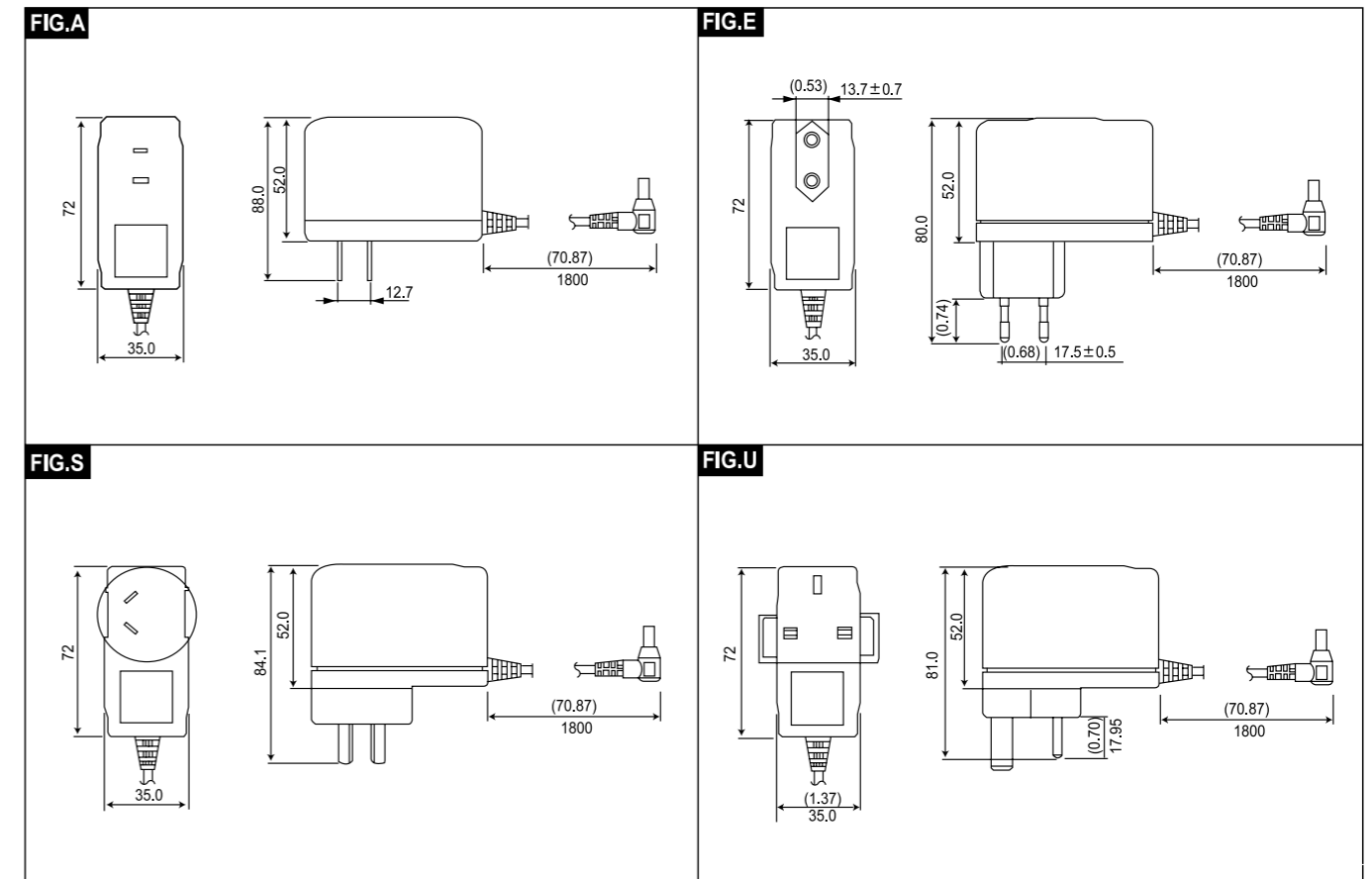
Dimensions2.83x 2.05 x 1.37 Inches
 Weight0.35 Pounds

MODEL	OUTPUT VOLTAGE	OUTPUT CURRENT	RIPPLE & NOISE	VOLTAGE SETPOINT	LINE REGULATION	LOAD REGULATION
TR1505	5 V	2.0 A	1%	+/- 2%	+/- 1%	+/- 4%
TR1506	6 V	1.5 A	1%	+/- 2%	+/- 1%	+/- 3%
TR1507	7.5 V	1.6 A	1%	+/- 2%	+/- 1%	+/- 3%
TR1509	9 V	1.4 A	1%	+/- 2%	+/- 1%	+/- 2%
TR1512	12 V	1.0 A	1%	+/- 2%	+/- 1%	+/- 2%
TR1512-01	13.6 V	1.0 A	1%	+/- 2%	+/- 1%	+/- 2%
TR1515	15 V	1.0 A	1%	+/- 2%	+/- 1%	+/- 2%
TR1518	18 V	0.83 A	1%	+/- 2%	+/- 1%	+/- 2%
TR1524	24 V	0.63 A	1%	+/- 2%	+/- 1%	+/- 2%

NOTE:

1. Voltage setpoint at 60% full load,
2. Add a 0.1uF ceramic capacitor and a 10uF E.L. capacitor to output for Ripple & Noise measurement @20MHz BW.
3. Line regulation measured from 100Vac to 240Vac, full load.
4. Load regulation measured from 60% to full load and from 60% to 20% load (60% +/- 40% load)

Mechanical Specification



SMX POWER

3005 Avenida Simi, Simi Valley, CA 93063
 TEL: (805) 582-2804 FAX: (805) 582-2308
<http://www.smxpower.com>