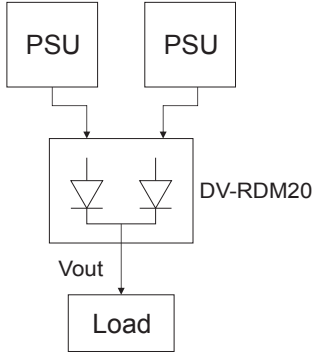


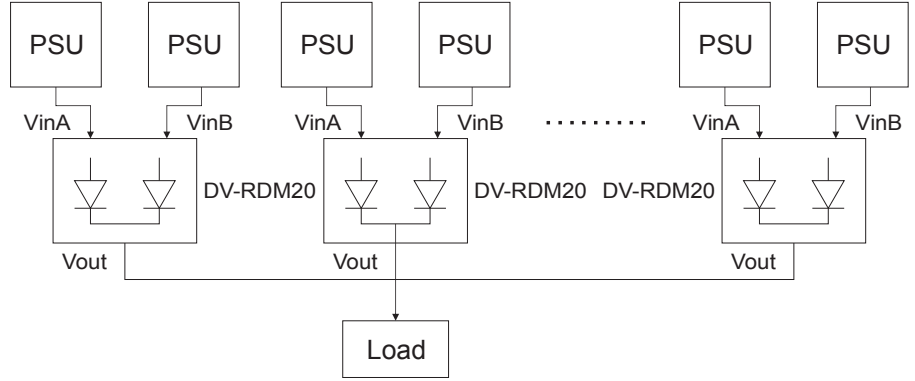


**Application Notes:**

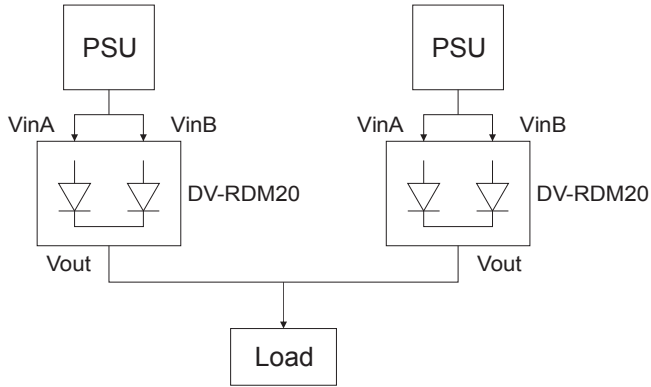
**A. 1+1 Redundancy:**  
Using 1 more PSU as the redundant unit



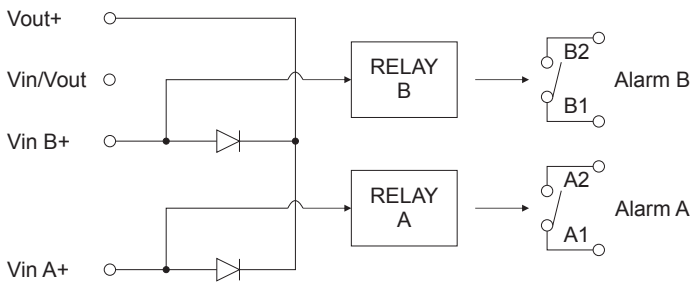
**B. 1+N Redundancy:**  
Using more PSUs as the redundant units to increase the reliability



**C. Single Use:**  
Connecting only one PSU to one DV-RDM20 to reduce the stress of the diodes and increase the reliability



**Block Diagram:**



**De-rating Curve:**

