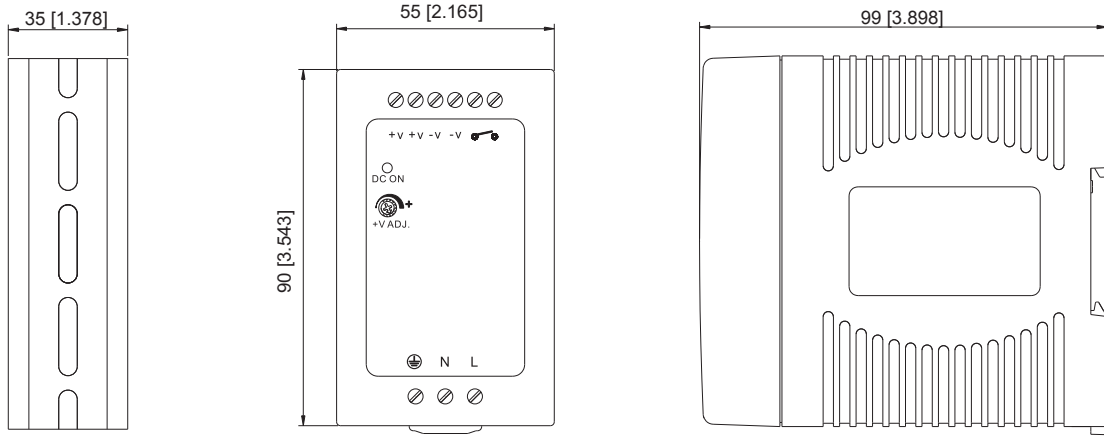




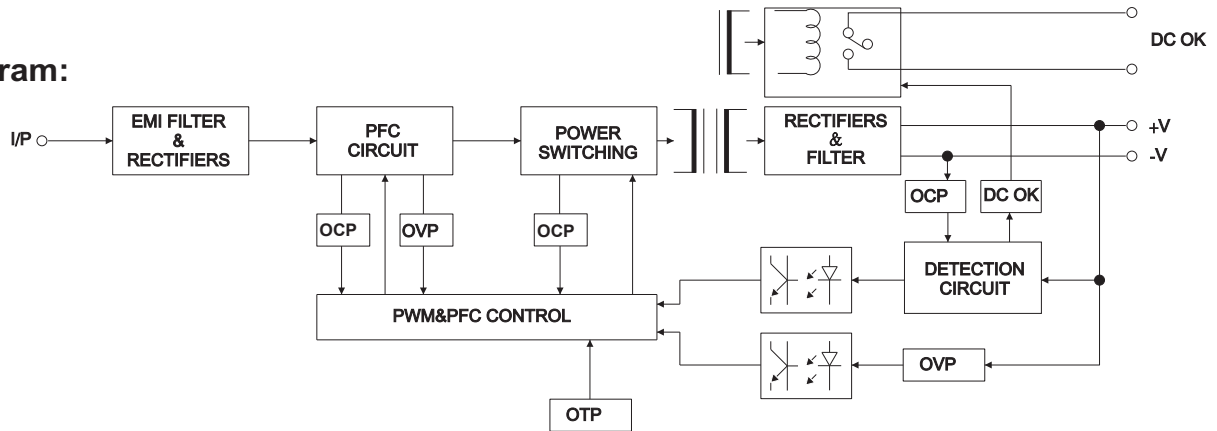
**Mechanical Drawings:**

Unit : mm / inch



install DIN rail TS-35 / 7.5 or TS-35 / 15

**Block Diagram:**



**DC OK Relay Contact:**

Contact Close	When the output voltage reaches the adjusted output voltage
Contact Open	When the output voltage drop below 90% rated output voltage
Contact Ratings (max.)	30V / 1A resistive load

**De-rating Curve:**

