

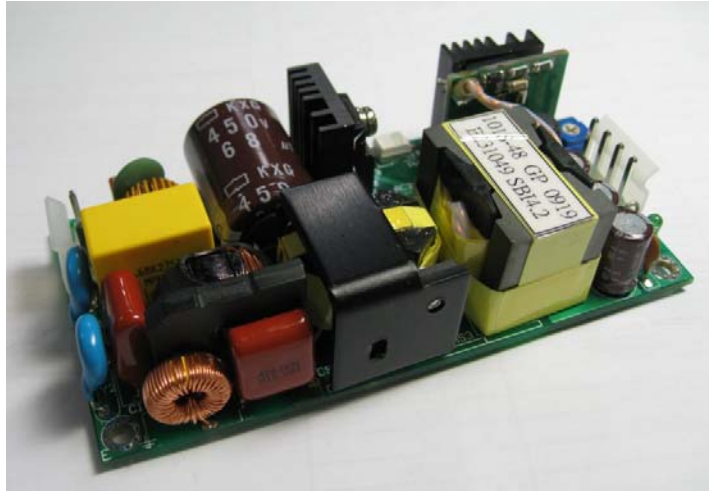


CFM101S SERIES

100 WATT OPEN FRAME AC-DC MODULES WITH PFC



- * 100W Single Output
- * Universal Input 90-264Vac
- * Active PFC Function
- * 2"X4" Size
- * Efficiency at 89% Typical
- * Continuous Short Circuit Protection
- * Meets EN55022 Class "B" and CISPR/FCC Class B



Model	Output Voltage	Max. Load	Min. Load	Ripple & Noise	Voltage Accuracy	Line Regulation	Voltage ADJ. Rangel	Load Regulation	% EFF. (Typ.)
CFMS101S120	12V	8.4A	0 A	1%	±1%	±0.5%	11.4 ~ 12.6V	±1%	87%
CFMS101S150	15V	6.7A	0 A	1%	±1%	±0.5%	14.25 ~ 15.75V	±1%	87%
CFMS101S200	20V	5.0A	0 A	1%	±1%	±0.5%	19 ~ 21V	±1%	88%
CFMS101S240	24V	4.2A	0 A	1%	±1%	±0.5%	22.8 ~ 25.2V	±1%	88%
CFMS101S480	48V	2.1A	0 A	1%	±1%	±0.5%	45.6 ~ 50.4V	±1%	89%

SMX POWER

3005 Avenida Simi, Simi Valley, CA 93063
 TEL: (805) 582-2804 FAX: (805) 582-2308
<http://www.smxpower.com>

Specifications

INPUT SPECIFICATIONS:

Voltage 90~264Vac
 Frequency 47 to 63Hz
 Inrush Current..... 90A Max. @240Vac
 Conducted EMI CISPR/FCC Class B
 Leakage Current 3.5mA

OUTPUT SPECIFICATIONS:

Holdup Time 10mS typ. @115Vac
 Short Circuit Protection Continuous
 Over Voltage Protection TVS Component to Clamp
 Temperature Coefficient $\pm 0.05\%/^{\circ}\text{C}$

GENERAL SPECIFICATIONS:

Isolation Input to output = 4,242VDC
 Operating Temperature 0 ~ 40°C (see derating curve)
 Storage Temperature -20 ~ 85°C
 Humidity 93% RH max. Non condensing
 Cooling Natural Convection
 Switching Frequency 100KHz Typical
 MTBF MIL-HDBK-217F, GB, at 25°C/115VAC 200K hrs
 Altitude 2000m
 Dimensions 101.6x50.8x25.4mm(2.0x4.0x1.0Inches)
 Weight 150g

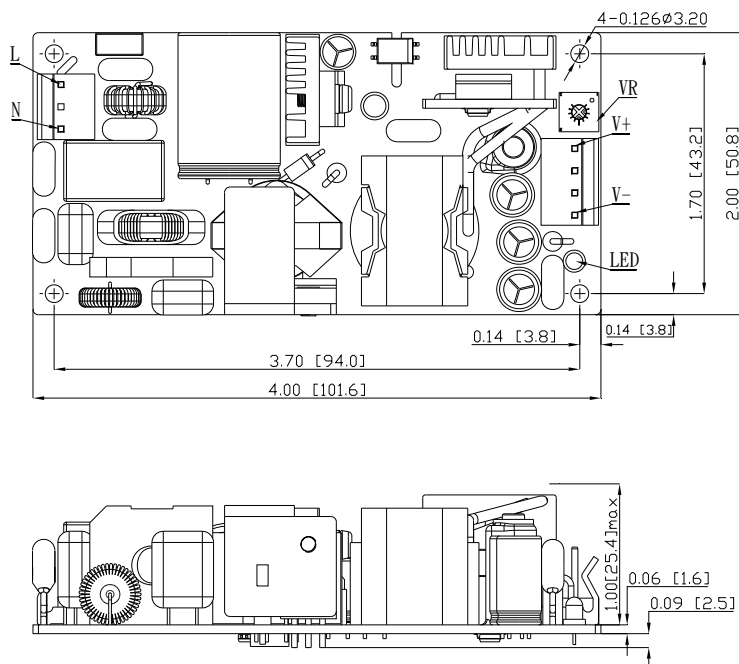
SAFETY AND EMC:

Emission and Immunity EN55022 Class B
 FCC Part 15 subpart B Class B, EN55024, EN61204-3, EN61000-6-3
 EN61000-6-1, EN61000-3-2, EN61000-3-3
 Safety IEC60950-1 2nd, EN60950-1 2nd, UL60950-1 2nd

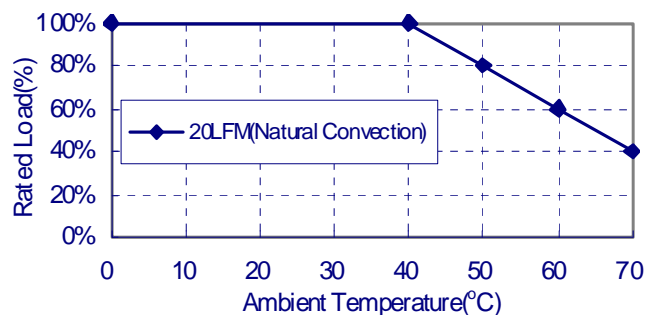
Mechanical Specification

Tolerance: Inches:x.xx = ± 0.02 , x.xxx = ± 0.010

Millimeters:x.x = ± 0.5 , x.xx = ± 0.25



CFM101S Series Derating Curve



NOTE:

1. Add a 0.1uF ceramic capacitor and a 10uF E.L. capacitor to output for Ripple & Noise measuring @20MHz BW.
2. Line regulation is measured from High Line to Low Line with full load.
3. Load regulation is measured from full to 10% load.
4. Input connector mates with Molex housing 09-50-3031 and Molex 2878 series crimp terminal.
5. Output connector mates with Molex housing 09-50-3041 and Molex 2878 series crimp terminal.

Typical at 25°C, nominal line and 75% load, unless otherwise Specified

SMX POWER

3005 Avenida Simi, Simi Valley, CA 93063
 TEL: (805) 582-2804 FAX: (805) 582-2308
<http://www.smxpower.com>